

## Technical sheet

### ULTIMATRON LiFePO4 Smart BMS Lithium Battery UBL-12-300-PRO

Compared with traditional batteries, our lithium iron phosphate batteries (LiFePO4) have many advantages:

- 5 years manufacturer's warranty
- The safest technology, without risk of fire or explosion
- Long service life
- Constantly improving storage capacity
- High stability even under extreme loads
- No memory effect, no need for full charge and discharge cycles
- High performance even under extreme conditions
- Deep and regular discharge and charging efficiency
- Small size and light weight

### Integrated Battery Management System (BMS)

To allow the control and the charge of the different elements of an accumulator battery and to protect it against overcharging, overvoltages and overheating.



Note: Series and parallel connection for 12V, 24V, 36V, 48V applications.



### Integrated Bluetooth 4.0 monitoring



You have all important battery data always on your smartphone or tablet. The application displays the data in real time.



**ULTIMATRON  
FRANCE**

# TECHNICAL SHEET

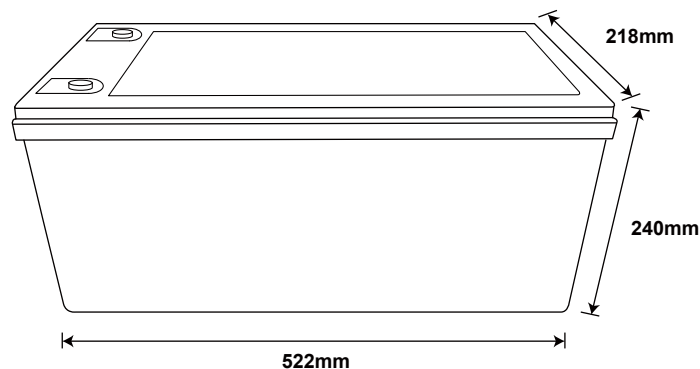
## ULM SMART BMS SERIE 12.8V

### ULTIMATRON LiFePO4 Smart BMS Lithium Battery UBL-12-300-PRO

#### ELECTRICAL PERFORMANCE

Nominal Voltage	12.8V
Nominal Capacity	300Ah
Capacity @ 60A	300min
Energy	3840Wh
Resistance	≤15mΩ @ 50% SOC
Self Discharge	<3% / Month
Number of Cycles	>6000@80%D.o.D

#### DIMENSION



Dimensions	L522 * W218 * H240mm
------------	----------------------

#### CHARGE PERFORMANCE

Recommended Charge Current	90A
Maximum Charge Current	150A
Recommended Charge Voltage	14.6V
Charge Cut-Off Voltage	14.6V (2000ms)
Reconnect Voltage	≤13.8V
Balancing Voltage	>12.8V

#### DISCHARGE PERFORMANCE

Maximum continuous Discharge Current	200A
Peak Discharge Cut-Off Current	600A ( 200~500ms)
Discharge Cut-Off Voltage	10V (2000 ms)
Reconnect Voltage	>11.2V
Short Circuit Protection	1000-2000A ± 400A (200 ~ 800 μs)

#### MECHANICAL PERFORMANCE

Weight	28.25kg
Terminal Type	M8
Terminal Torque	80 ~ 100 in-lbs (9 ~ 11 N-m)
Case Material	Metal
Ingress Protection Code	IP65
Bluetooth	Bluetooth 4.0 with smartphone App

#### TEMPERATURE PERFORMANCE

Discharge Temperature	-20 ~ 75 °C
Charge Temperature	0 ~ 50 °C
Storage Temperature	-5 ~ 35 °C

#### COMPLIANCE

Certifications	CE UN38.3 UL1642 & IEC62133
Shipping Classification	UN 3480, CLASS 9

**ULTIMATRON FRANCE**

Add: 286 Rue Charles Gide, 34670 Baillargues, France

✉ info@ultimatron-france.fr

☎ Tel:+33(0)9 50 42 76 17

